

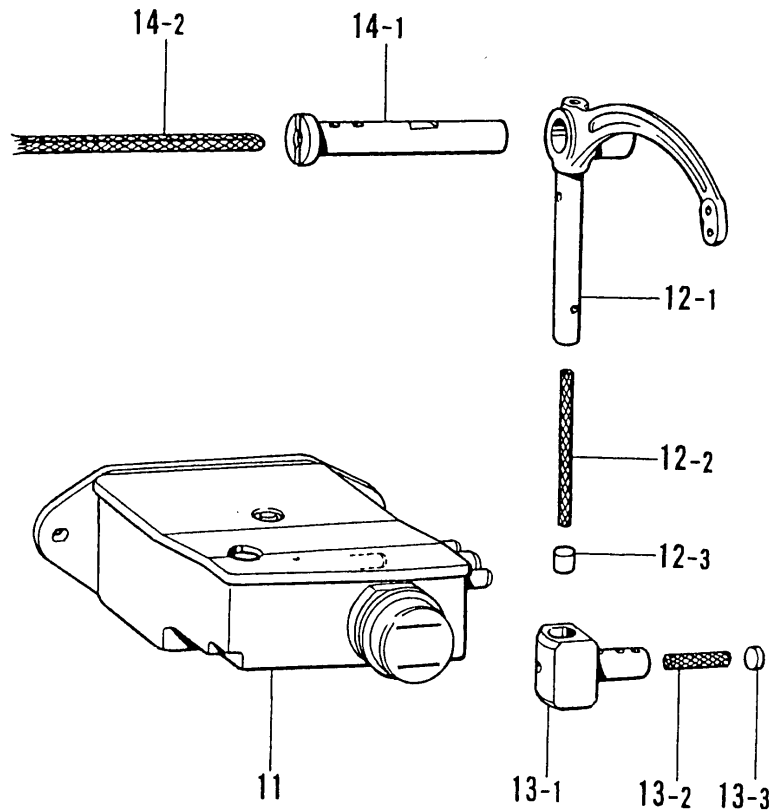
LS2–B883 Mark II

Single Needle Basting Lock Stitcher
with Thread Trimmer



Specifications

	- 100	- 200
Application	For tacking items such as men's clothing, ladies' clothing and overcoats	
Max. speed	850 rpm	
Max. stitch length	Free stitching by manual feed	
Needle bar stroke	38 mm	
Thread take-up stroke	64.6 mm	
Height of presser foot	17.5 mm	
Needles	MT × 190 #11 - #16	
Hook	Horizontal large rotary hook (vertical axis)	
Thread trimmer	Scissors type (Solenoid)	
Thread nipper	–	Solenoid type
Table (Standard)	1,200 (W) × 830 (D) × 760 (H) mm	



Ref. No.	Part name	Part code	Q'ty
11	Oil tank assy	S38417-001	1
12	Thread take-up assy, L5	S38405-001	1
12-1	Thread take-up, L5	S38395-001	1
12-2	Wick 4 × 4 (L=40)	S03289-001	1
12-3	Rubber cap, 4.2	142274-009	1
13	Thread take-up slide block 2 assy	S13160-001	1
13-1	Thread take-up slide block	S07338-001	1
13-2	Wick (L=30)	114693-001	1
13-3	Pusher	113024-000	1
14	Thread take-up shaft assy	S14506-001	1
14-1	Thread take-up shaft	S07334-001	1